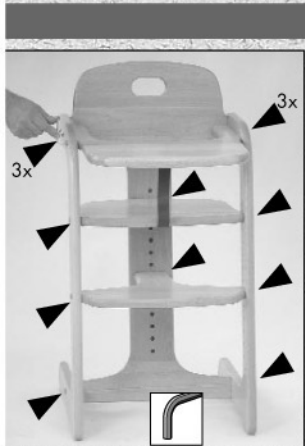
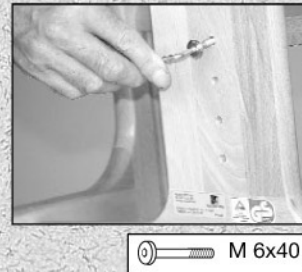
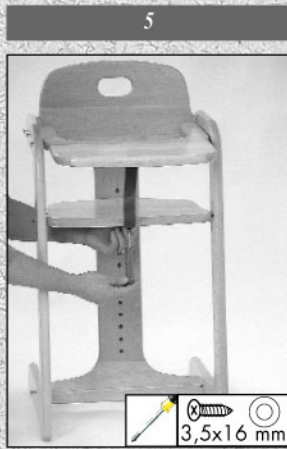
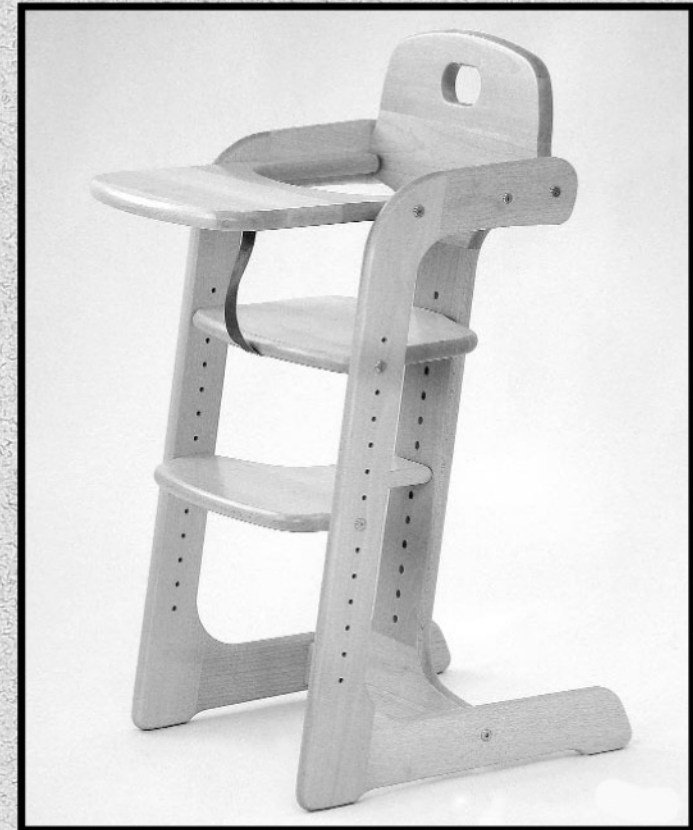


ASSEMBLY CONTINUED



• Finally, tighten all bolts at the end of the assembly firmly. Do not use electric screwdrivers!



TIPP-TOPP HIGH CHAIR



KETTLER® reserves the right to make changes or modifications without notice!

Assembly and Operating Instructions  
Item # 4883



**Important** - Carefully read before use - Keep for later reference!  
Please absolutely pay attention to the following safety information and if necessary, pass these instructions for use to further users of the high chair.

### IMPORTANT SAFETY REFERENCES

- The High chair must only be used for its intended purpose, i.e. as a seat for one (1) child.
- KETTLER® high chairs are produced as per EN 1178 and only suited for children that can already sit upright alone.
- Never leave your child unattended in the High chair.
- Always position the high chair on a safe ground and never near sources of danger (e.g. open fire, heat sources, stairs, etc.) or at high positions (e.g. table). Danger of serious injuries! Only transport the chair without a child inside.
- Keep your child away from the chair during assembly and disassembly. Only place your child into a properly assembly high chair. Only adjust the operating elements without your child being in the chair.
- First bolt all the parts together loosely, then check that they have been assembled correctly. Firmly tighten them at the end of the assembly. Do not use electric screwdrivers!
- The High chair is only intended for a stationary use and must not be used in vehicles.
- Do not hang/place any objects on/at the high chair that might impair its stability.
- Only use the High chair after all component parts have been mounted and adjusted by an adult.
- Regularly check the High chair for unintentionally loosened connections and possible defects/missing parts. In this case, the chair must not be used any longer until a proper repair has been made. Only use spare parts supplied by the manufacturer. In such a case, please contact **KETTLER parts & service**
- For the safety of your child, KETTLER® products are produced with utmost care and are continuously checked by our quality control. Please, read these instructions for use carefully before the chair's first use.

KETTLER® Int'l Inc  
P.O. Box 2747 - Va. Beach, VA 23450-2747  
T(757)427-2400 / F(757)427-0183  
<http://www.kettlerusa.com>  
eMail: [info@kettlerusa.com](mailto:info@kettlerusa.com)

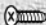

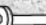


For parts @ service:  
e-mail [parts@kettlerusa.com](mailto:parts@kettlerusa.com)  
T (866)804-0440

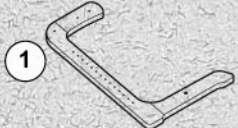
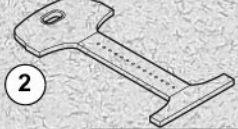




### Cleaning and Maintenance

To clean the only use mild detergent and moist cloth. Under no circumstances use a corrosive or environmentally harmful cleaning agent. Make sure High chair thoroughly dries before using.

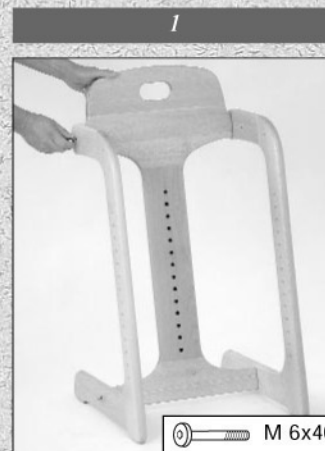
- KETTLER® Herlag High chair is made of beechwood. The color of the wood may fade in time by exposure to light.
- It is possible for the Cotton bumper pad colors to fade after several washings.
- When ordering spare parts always include the article number and the serial number of the unit. You can find both on the silver identification sticker on the product.

### Checklist

	3,5x16	1
	Ø 4/7 mm	1
	M 6 x 40 mm	14
		1
		Not included

	2
	1
	1
	1
	1
	1

POS.	PART #	DESCRIPTION
1	98105132	Side Part
2	98105153	Back
3	98105134	Crotch Strap
4	98105133	Tray
5	98105152	Seat
6	98105181	Foot Rest
7	98105183	Hardware Bag
8	98105073	Lap Belt



Insert all bolts loosely at first